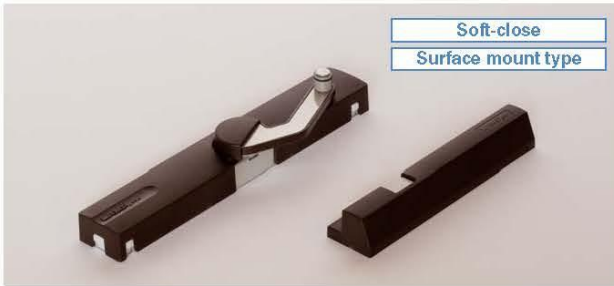


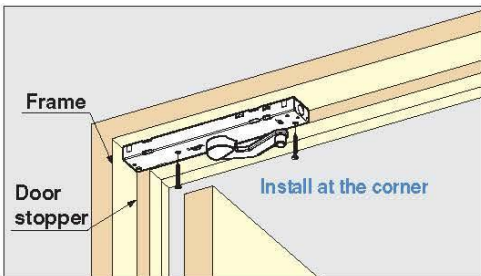
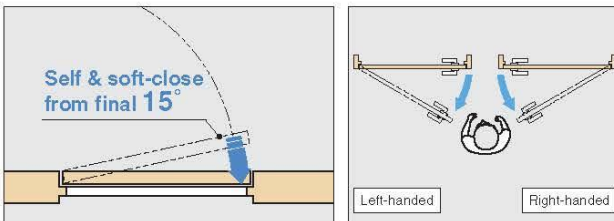
DOOR DAMPER



LDD-S



Right-handed shown.



Available Colours



Features

- Surface mount type.
- Unobtrusive design : damper unit is only 20 mm high, easily fits most door frames.
- Self & soft-close from final 15°.
- Closing Power adjustable.
- Recommended Door Specifications:
Width : Max. 900 mm
Weight : 15 - 40 kg
- Successfully passed for the 100,000 open/close private cycle test.
- Available in 4 colours to match your door: White (WT), Light Grey (LGR), Light Brown (LBR) or Dark Brown (DBR).
- Recommended hinge: HES series (P.470-473)

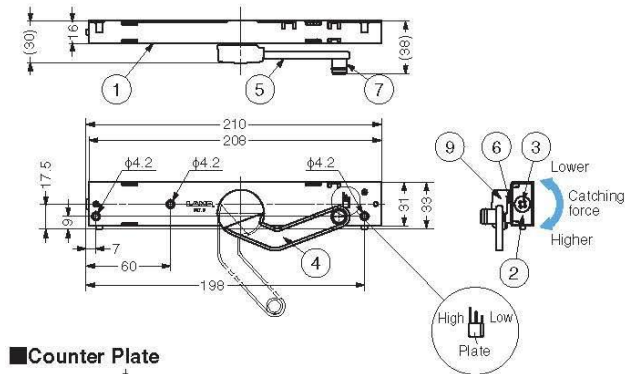
Parts Included

- Countersunk head tapping screw 3.5×30
- Binding head tapping screw 4×16

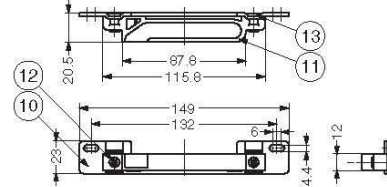
Video Link



Body



Counter Plate

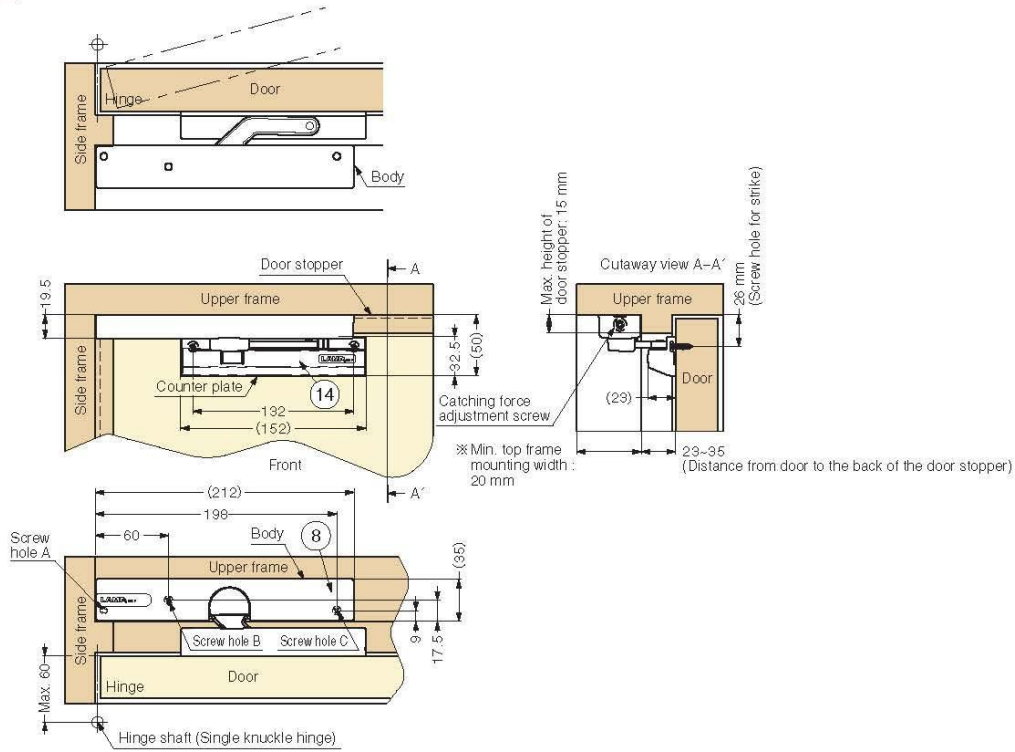


Right-handed shown.

No.	Part Name	Material	Finish/Colour
①	Case	Steel (SGCC)	Chromate
②	Block	Polyacetal (POM)	Natural
③	Catching Force Adjustment Screw	Steel	Chromate
④	Arm	Stainless Steel (SUS304)	Plain
⑤	Arm Spacer	Polyacetal (POM)	(As Left)
⑥	Arm Axis	Zinc Alloy (ZDC)	Chromate
⑦	Roller	Polyacetal (POM)	Grey
⑧	Body Cover	ABS	(As Left)
⑨	Arm Cover	ABS	(As Left)
⑩	Counter Plate	Steel (SPCC)	Chromate
⑪	Guide	Zinc Alloy (ZDC)	Chromate
⑫	Screw (SW'CH)	Steel (SW'CH)	Nickel
⑬	Nut	Steel (SPCC)	Nickel
⑭	Counter Plate Cover	ABS	(As Left)

Item Code	Item Name	Colour	Type	Door Width	Door Weight	Weight	Carton
270-018-984	LDD-S-R WT	White	Right-handed	Max. 900	15~40 kg	550 g	20 pcs
270-018-985	LDD-S-L WT	White	Left-handed			550 g	20 pcs
270-018-986	LDD-S-R LGR	Light Grey	Right-handed			550 g	20 pcs
270-018-987	LDD-S-L LGR	Light Grey	Left-handed			550 g	20 pcs
270-018-988	LDD-S-R LBR	Light Brown	Right-handed			550 g	20 pcs
270-018-989	LDD-S-L LBR	Light Brown	Left-handed			550 g	20 pcs
270-018-990	LDD-S-R DBR	Dark Brown	Right-handed			550 g	20 pcs
270-018-991	LDD-S-L DBR	Dark Brown	Left-handed			550 g	20 pcs

Installation



※ When the distance from door to the back of the door stopper is 20 mm ~ 25 mm, please use the screw hole A and C.

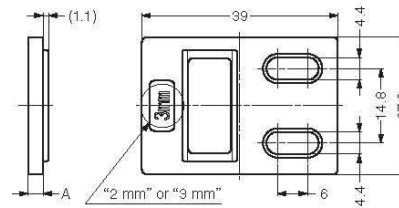
SPACER FOR LDD-S

LDD-S-P



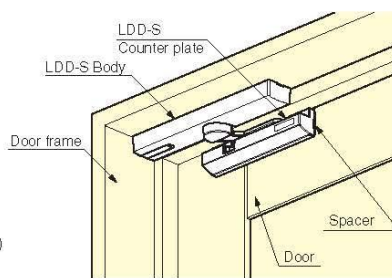
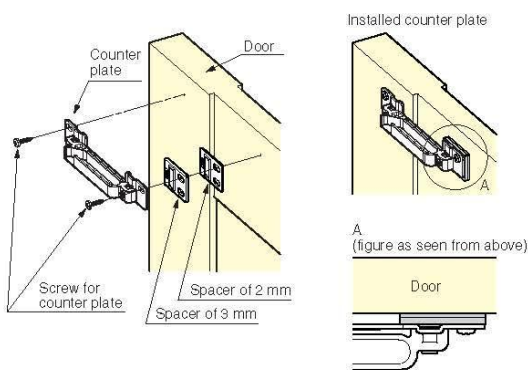
Features

- Two types available: 2 mm thickness and 3 mm thickness.
- Can be used for Max. 6 mm thickness gap.



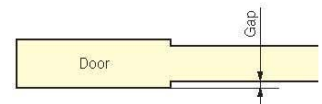
Installation

(In case of 5 mm thickness gap)



Remarks Before Installation

Check the gap of the door surface and choose the suitable spacer (combination of spacers).



Part Name	Material	Colour
Body	ABS	Black

Item Code	Item Name	A	Weight	Box	Carton
270-021-019	LDD-S-P2 BL	2	2 g	100 pcs	1000 pcs
270-021-020	LDD-S-P3 BL	3	3 g	100 pcs	1000 pcs